



Technická Data

Aktualizace 5.00.14

Aktualizovaná verze obsahuje dalších 382 technických informací.
Celkem 1165 modelů vozidel bylo nově zpracováno.

Přehled přidanych modelů:

- Abarth
- Alfa Romeo
- Audi
- BMW
- Chevrolet
- Chrysler
- Citroën
- Dacia
- Daihatsu
- Daimler
- Dodge
- Fiat
- Ford
- GWM
- Honda
- Hyundai
- Isuzu
- Iveco
- Jaguar
- Jeep
- KIA
- Lancia
- Land Rover
- LDV
- Lexus
- Mazda
- Mercedes Benz
- MG
- Mini
- Mitsubishi
- Nissan
- Opel
- Perodua
- Peugeot
- Piaggio
- Porsche
- Renault
- Saab
- Seat
- Skoda
- Smart
- SsangYong
- Subaru
- Suzuki
- Toyota
- Vauxhall
- Volkswagen
- Volvo

Nové a aktualizované data

Seznam nových a revidovaných modelů přidanych v této aktualizaci.

Airbagy

- BMW 2-series (F22/23/45/46)
- Chevrolet Malibu
- Chevrolet Trax
- Chrysler Ypsilon
- Citroën C-Zero
- Citroën C3 Picasso
- Citroën C4 Picasso/Grand Picasso 2 (B)
- Citroën DS4
- Dacia Dokker
- Fiat 500L
- Fiat Freemont
- Ford Ecosport ('13)
- Ford Mondeo ('15)
- Honda CR-V (IV)
- Hyundai i10 (IA)
- Hyundai i20 (GB/IB)
- Hyundai i800/iLoad/iMax
- Hyundai Veloster
- Jaguar XF (X250)
- Jeep Wrangler (YJ)
- Mini Clubman (R55)
- Mini Countryman (R60)
- Mini Coupe (R58)
- Mini Roadster (R59)
- Mitsubishi ASX
- Opel Astra J
- Opel Meriva B
- Opel Vivaro
- Porsche 911 (991)
- Porsche 911 (997)
- Porsche Boxster (987)
- Porsche Cayenne (92A/958)
- Porsche Cayenne (9PA)
- Porsche Cayman (981C)
- Porsche Cayman (987)
- Porsche Macan (95B)
- Porsche Panamera (970)
- Renault Master III
- Renault Twingo III
- Seat Toledo (KG3)
- Subaru BRZ
- Subaru Forester (SJ)
- Subaru Impreza (GP)
- Toyota Corolla (E110)
- Toyota GT86
- Vauxhall Astra J
- Vauxhall Meriva B
- Vauxhall Vivaro
- Volkswagen Caddy (2K)
- Volkswagen e-up!
- Volvo C30
- Volvo XC60
- Citroën C3 Pluriel
- Citroën DS3
- Jaguar XJ (X351)
- Citroën C1 (B4)
- Citroën C4 Cactus (E3)
- Citroën C4 series
- Dacia Duster (HS)
- Ford Focus ('11)
- Ford Grand Tourneo Connect ('14)
- Ford Kuga ('13)
- Ford Tourneo Connect ('14)
- Ford Tourneo Courier ('14)
- Ford Tourneo Custom ('13)
- Ford Transit ('14)
- Ford Transit Connect ('13)
- Ford Transit Courier ('14)
- Ford Transit Custom ('12)
- Jeep Cherokee (KL)
- KIA Carens (RP)
- KIA Pro Cee'd (JD)
- KIA Soul (PS)
- Lancia Voyager
- Land Rover Range Rover Sport (LW)
- Mercedes Benz C-Class (205)
- Mercedes Benz Citan (415)
- Mercedes Benz GLK-Class (204)
- Mini Clubman / Cooper (F55)
- Mini Mini (F56)
- Mini Paceman (R61)
- Mitsubishi Outlander III
- Nissan Note (E12)
- Opel Adam
- Opel Cascada
- Peugeot 108
- Peugeot 301
- Peugeot 308 II (L)
- Porsche Boxster (981)
- Renault Captur
- Renault Kangoo II

- Renault Latitude (L7)
- Renault Zoe
- Skoda Citigo
- Skoda Yeti (5T)
- Suzuki Swift (AZG)
- Toyota Aygo II
- Vauxhall Adam
- Vauxhall Cascada
- Volkswagen e-Golf VII
- Alfa Romeo 166
- Citroën C4 Picasso/Grand Picasso
- Ford Fiesta ('02)
- Ford Fiesta ('08)
- Ford Galaxy ('06)
- Ford Galaxy ('10)
- Opel Astra H
- Renault Scenic / Grand Scenic II
- Renault Trafic II
- Toyota Aygo
- Vauxhall Astra H
- Volkswagen Golf VI

Následné zpracování výfukových plynů

- Citroën C4 Aircross (B)
- Ford Ranger ('12)
- Nissan Evalia (M20)
- Opel Combo D
- Peugeot 4008 (B)
- Renault Clio IV (BH)
- Vauxhall Combo D

System motoru

Informace přidáné u těchto modelů:

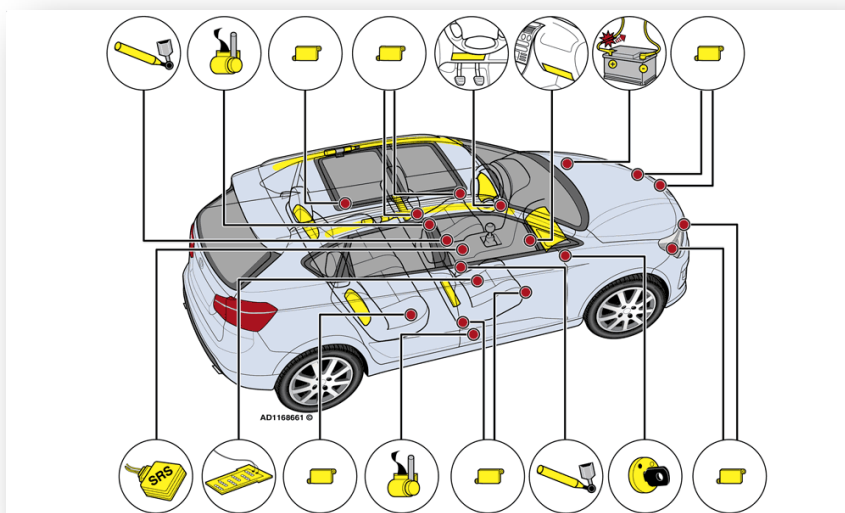
- Abarth Abarth 500
- Alfa Romeo Giulietta (940)
- Audi A3/S3/RS3 (8P)
- Audi A3/S3 (8V)
- Audi A4/S4 B6 (8E/B6)
- Audi A4/S4/RS4 (8E/8H/B7)
- Audi A4/S4/RS4 (8K/B8)
- BMW i8 (I12)
- BMW X4 (F26)
- BMW X6 (F16)
- Citroën C5 series 2
- Citroën C5 series 1
- Citroën Jumpy/Dispatch series 3
- Dacia Logan (L8)
- Dacia Logan MCV (K8)
- Dacia Sandero II
- Daihatsu Trevis
- Fiat 500
- Fiat Panda (312/319)
- Fiat 500X
- Fiat Fiorino (147)
- Fiat Punto (176)
- Fiat Punto Evo/Punto (199)
- Ford Transit ('06)
- Ford Fiesta ('13)
- Ford B-Max
- Ford Focus ('14)
- Ford Tourneo Connect ('02)
- Ford Tourneo Connect ('09)
- Ford Transit Connect ('02)
- Ford Transit Connect ('10)
- Ford Ka ('09)
- Ford Mondeo ('11)
- Ford Mondeo ('07)
- Honda Civic (I/II/III)
- Honda CR-Z
- Honda Civic (IX)
- Hyundai ix35
- Hyundai Accent (RB)
- Hyundai i30 (FD)
- Hyundai i40
- Hyundai H1 II
- Iveco Daily V
- Iveco Daily VI

- Jeep Renegade (520)
- KIA Sorento (BL)
- KIA Sedona/Carnival (GQ)
- Land Rover Discovery IV
- Land Rover Range Rover Sport
- Lexus NX-series
- Mazda MX-3 (EC)
- Mazda 5 (CW)
- MG MG3 (S261/ZP11)
- MG MG6
- Mitsubishi L200/Triton
- Mitsubishi Space Star (A00)
- Nissan Interstar (X70)
- Nissan Pulsar (C13)
- Nissan X-Trail (T32)
- Nissan Note (E11)
- Opel Antara
- Opel Cavalier B
- Opel Corsa E
- Opel Vivaro B
- Opel Zafira C Tourer
- Opel Movano A
- Opel Corsa D
- Opel Zafira B
- Peugeot 508
- Peugeot 205 (741A/B/C, 20A/C/D)
- Peugeot 207 CC
- Piaggio Porter
- Porsche Boxster (986)
- Renault Koleos (VY/HY_)
- Renault Mascott
- Renault Mascott dci
- Seat Leon (1P1)
- Seat Leon (5F1/5F5)
- Seat Mii
- Skoda Praktik
- Skoda Octavia (5E)
- Smart Forfour (453)
- Smart Fortwo (453)
- SsangYong Actyon Sport I
- Suzuki Celerio
- Toyota Avensis (T27)
- Toyota Yaris I
- Vauxhall Antara
- Vauxhall Corsa E
- Vauxhall Vivaro B
- Vauxhall Zafira C Tourer
- Vauxhall Movano A
- Vauxhall Corsa D
- Vauxhall Zafira B
- Volkswagen Golf VII Sportsvan
- Volkswagen Golf VII
- Volkswagen Polo (6R)
- Volvo V60
- Volvo V70 (P24)
- Volvo XC70 (P24)
- Volvo V40
- Volvo C70 (N)

System motoru – test komponentů

- Fiat Punto (176)
- Fiat Punto Evo/Punto (199)
- Ford Tourneo Connect ('02)
- Ford Tourneo Connect ('09)
- Ford Transit Connect ('02)
- Ford Transit Connect ('10)
- Honda Civic (IX)
- Hyundai i30 (FD)
- Hyundai i40
- KIA Sedona/Carnival (GQ)
- Land Rover Range Rover Sport
- Mazda 5 (CW)
- Nissan Note (E11)
- Opel Movano A
- Peugeot 205 (741A/B/C, 20A/C/D)
- Peugeot 207 CC
- Toyota Avensis (T27)
- Vauxhall Movano A
- Volvo V40

- Ford Transit ('06)
- Honda CR-V (IV)
- Hyundai i10 (IA)
- Hyundai i20 (GB/IB)
- Hyundai i800/iLoad/iMax
- Hyundai Veloster
- Jaguar XF (X250)
- Jeep Wrangler (YJ)
- Mini Clubman (R55)
- Mini Countryman (R60)
- Mini Coupe (R58)
- Mini Roadster (R59)
- Mitsubishi ASX
- Opel Astra J
- Opel Meriva B
- Opel Vivaro
- Porsche 911 (991)
- Porsche 911 (997)
- Porsche Boxster (987)
- Porsche Cayenne (92A/958)
- Porsche Cayenne (9PA)
- Porsche Cayman (981C)
- Porsche Cayman (987)
- Porsche Macan (95B)
- Porsche Panamera (970)
- Porsche Boxster (986)
- Renault Master III
- Renault Twingo III
- Seat Toledo (KG3)
- Subaru BRZ
- Subaru Forester (SJ)
- Subaru Impreza (GP)
- Toyota Corolla (E110)
- Toyota GT86
- Vauxhall Astra J
- Vauxhall Meriva B
- Vauxhall Vivaro
- Volkswagen Caddy (2K)
- Volkswagen e-up!
- Volvo C30
- Volvo XC60



Nejčastější závady a tipy

- Alfa Romeo Brera
- Alfa Romeo GT Spider
- Alfa Romeo Spider (939)
- Fiat Fiorino (225)
- Ford Transit ('92)
- Honda Accord (IX)
- Honda CR-V II (RD_)
- Honda Stream I (RN)
- Hyundai Coupe
- Hyundai Elantra I
- Hyundai Getz II
- Hyundai Grandeur I
- Hyundai ix55/Vera Cruz
- Hyundai Matrix II

- Hyundai Santa Fe (SM)
- Hyundai Santa Fe (CM)
- Hyundai Sonata (EF/EF-B)
- Hyundai Sonata (NF)
- Hyundai Terracan
- Hyundai Trajet
- Jeep Cherokee (KJ)
- Jeep Cherokee (KK)
- KIA Picanto (TA)
- KIA Rio (UB)
- KIA Soul (AM)
- KIA Venga (YN)
- Nissan vAlmera (N16)
- Nissan Cube (Z12)
- Nissan Micra (K12)
- Nissan Primera (P12)
- Opel Agila A
- Opel Mokka
- Saab 9-5 II
- Toyota Dyna (07-)
- Vauxhall Agila A
- Vauxhall Mokka

Plány údržby

Nové a aktualizované informace u modelů:

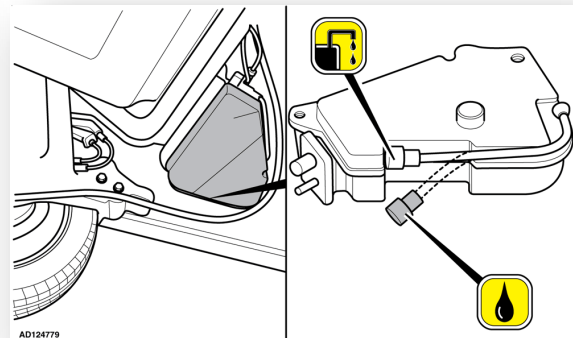
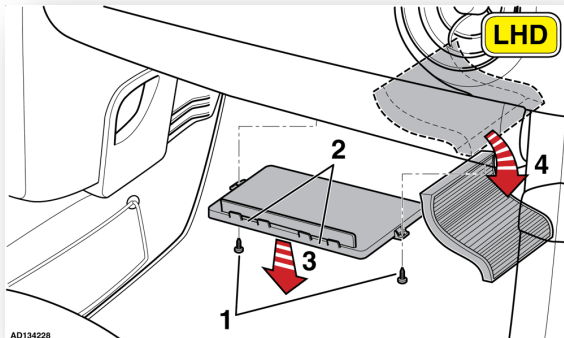
- Chevrolet Aveo (T250 II)
- Chevrolet Orlando
- Chevrolet Volt
- Honda Accord (VII/VIII)
- Honda Legend (IV)
- Honda Logo (GA3)
- Honda Prelude (V)
- KIA Magentis (GD)
- Mitsubishi Colt CZC (Cabrio)
- Mitsubishi i-MiEV
- Mitsubishi Lancer (CSO)
- Mitsubishi Outlander I
- Mitsubishi Shogun/Pajero/Montero (V80)
- Mitsubishi Shogun/Pajero
- Pinin/Montero i.o.
- Nissan 1200/1400/1600 (110/510)
- Nissan 120Y Sunny (B210)
- Nissan 120Y Sunny (B310)
- Peugeot iOn
- Seat Exeo (3R)
- Toyota Avensis Verso
- Toyota Picnic II
- Toyota Corolla Verso II (E12J)
- Toyota Corolla Verso III (ZER/ZZE)
- Toyota Dyna (01-07)
- Toyota Hiace/PowerVan (95-)
- Toyota Land Cruiser (J10)
- Toyota MR2 (W2)
- Toyota Previa II
- Toyota Supra II
- Toyota Verso/Sportsvan

Obrázky k údržbě

- Fiat Linea (110)
- Ford Ranger ('06)
- Ford Ranger ('99)
- Jeep Grand Cherokee (WH)
- Jeep Wrangler (JK)
- Lancia Phedra
- Mitsubishi Colt (Z30)
- Opel Movano B
- Peugeot RCZ
- Peugeot 407 (6C/D/E)
- Renault Scenic/ rand Scenic III
- Toyota Verso S
- Vauxhall Movano B
- Volkswagen Touran (GP2)
- Volkswagen Touareg (7L)
- Volkswagen Touareg (7L6)
- Volkswagen Golf VI Plus

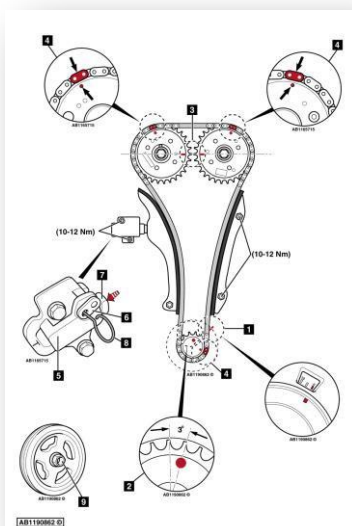
Technická Data

Aktualizace 5.00.14



Rozvodové řemeny / rozvodové řetězy - návody

- Abarth Abarth Grande Punto
- Chrysler Delta
- Citroën C-Crosser
- Citroën C8
- Daihatsu Copen
- Daihatsu Domino/Cuore (L60/80)
- Daimler Double Six II
- Fiat Idea (135)
- Fiat Ulysse (179)
- Fiat Ducato (244/Z)
- Hyundai H1 I
- KIA Cee'd (EU)
- Lancia Zeta
- LDV Sherpa
- LDV 400-series
- Mitsubishi L400
- Nissan Patrol (260)
- Nissan Pick-up (D21)
- Nissan Pixo (UA0)
- Perodua Kenari
- Renault Vel Satis
- Seat Cordoba (6K)
- Seat Ibiza (6K)
- Skoda Superb (3U4)
- SsangYong Rexton I
- SsangYong Korando C
- Toyota Hiace (82-95)
- Toyota Hilux (RN 30/YN 58/YN 80)
- Toyota Spacecruiser/Model-F Spacecruiser



Pracovní hodnoty

- Alfa Romeo 166
- Chrysler 300C
- Isuzu TFR/TFS (TF_)
- Jeep Commander
- Jeep Compass (MK)
- Jeep Grand Cherokee (WL)
- Jeep Grand Cherokee (WJ)
- Jeep Patriot
- Nissan Cabstar (F24)

Informace o baterii

- Lexus GS-series IV (GRL/GWL)
- Lexus IS-series III
- Mitsubishi Mirage (EL)
- Subaru XV
- Toyota RAV4 IV (XA3)

